

## 1.2mm Silicon Blue PIN photodiode

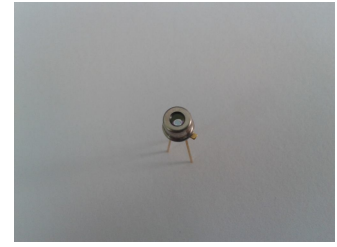
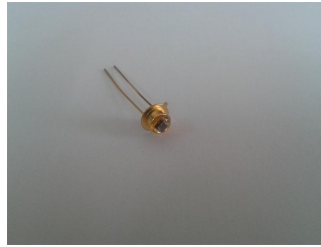
**Model: LSSPD-B1.2**

**Features:**

- High responseivity
- Blue enhance
- High speed
- Low dark current
- Low capacitance
- Flat window

**Applications:**

- Optical communications
- Laser ranging
- Industrial automatic control
- Optical power meter
- Science analysis and experiment



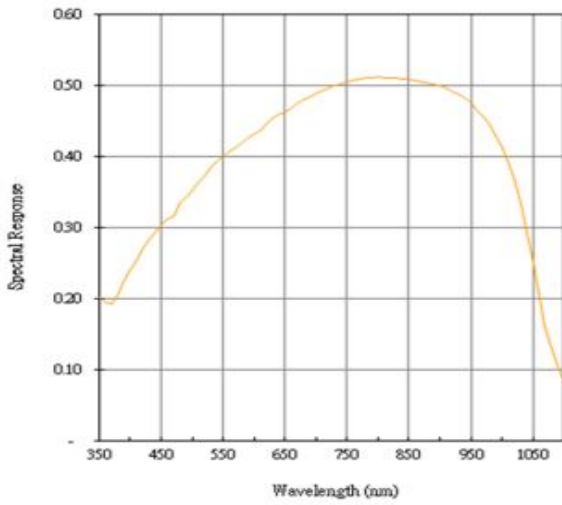
**Absolute maximum ratings:**

parameter	symbol	value	unit
Operating temperature	Top	-40~+100	°C
Storage temperature	Tstg	-45~+125	°C
Forward current	I <sub>f</sub>	10	mA
Reverse current	I <sub>r</sub>	1000	uA

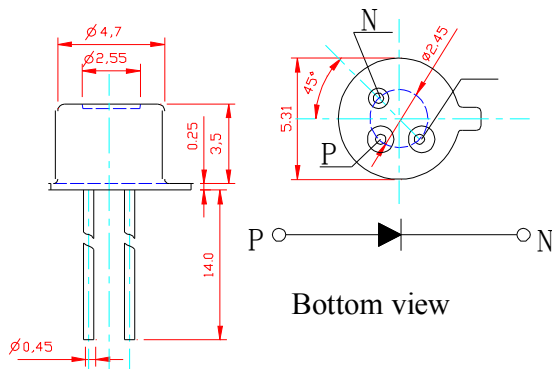
**Electrical and optical characteristics:(T=25°C, Vr=10V)**

parameter	symbol	unit	Value (typ.)
Active area	Φ	mm	1.2×1.2
Spectral range	λ	nm	320-1100
Responsivity	Re (λ=1064nm )	mA/mW	0.20
	Re (λ=850nm )	mA/mW	0.50
	Re(λ=650nm)	mA/mW	0.45
	Re(λ=350nm)	mA/mW	0.18
Response time	Tr (R <sub>L</sub> =50Ω, 905nm)	ns	25
Dark current	I <sub>D</sub>	nA	3
Reverse Breakdown voltage	V <sub>BR</sub> (I <sub>R</sub> =10uA)	V	120
Junction capacitance	C <sub>j</sub> (f=1MHz)	pF	30
Operating voltage	V <sub>R</sub>	v	0-10
package	TO-46		

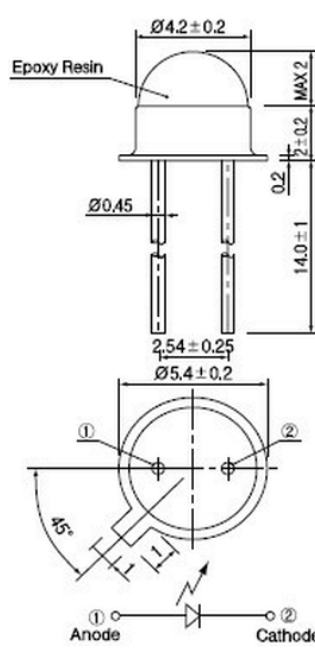
### The typical Sensitivity curve



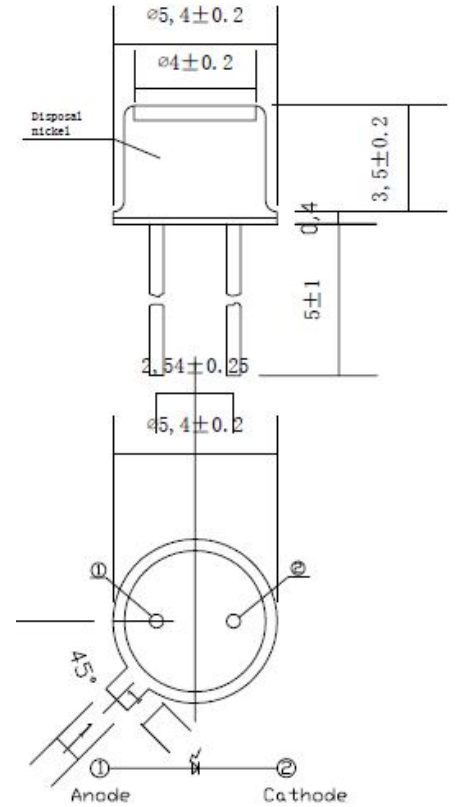
### The package and Lead



Package A



Package B



Package C

### Order information

LSSPD-B1.2-X-X

- X=A: Package A
- X=B: Package B
- X=C: Package C

- X=0 TO-46 Can with window cap
- X=SMFP SM Fiber coupling with FC-PC connector
- X=SMFA SM Fiber coupling with FC-APC connector
- X=SMSA SM Fiber coupling with SC-APC connector
- X=5MMFA 50um MM Fiber coupling with FC-APC connector
- X=6MMFA 62.5um MM Fiber coupling with FC-APC connector
- X=JKFC TO-46 Can with FC receptacle
- X=Other By customer's request

### The cautions

- 1: The suitable ESD protection is required in storage, transportation and using
- 2: The fiber bending radius no less than 20mm for avoiding fiber damaged, Be sure the fiber coupling facet is clean before connecting it to opto-circuit.