

1.2mm Silicon PIN photodiode

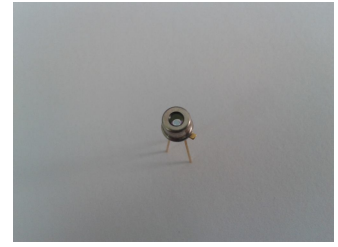
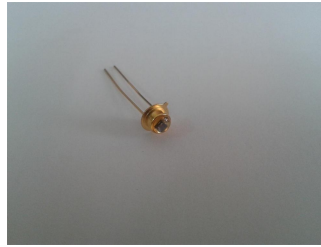
Model: LSSPD-1.2

Features:

- High responseivity
- High speed
- Low dark current
- Low capacitance
- Flat window

Applications:

- Optical communications
- Laser ranging
- Industrial automatic control
- Optical power meter
- Science analysis and experiment



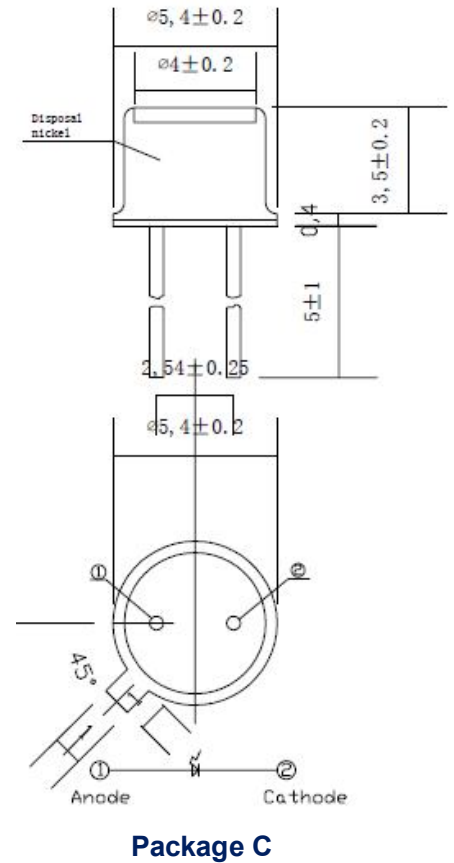
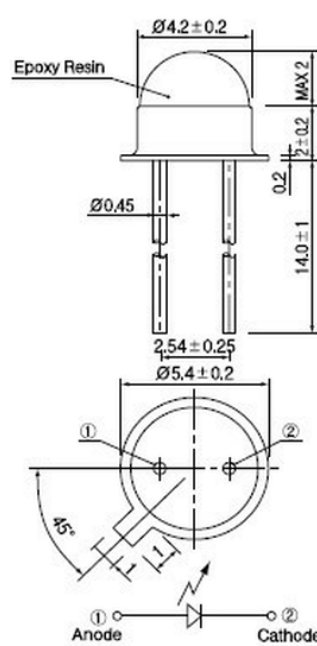
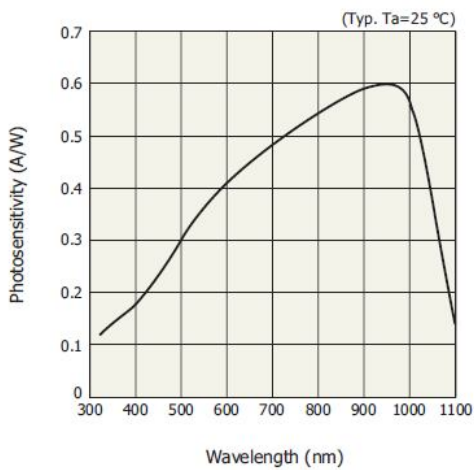
Absolute maximum ratings:

parameter	symbol	value	unit
Operating temperature	Top	-40~+100	°C
Storage temperature	Tstg	-45~+125	°C
Forward current	I _f	10	mA
Reverse current	I _r	1000	uA

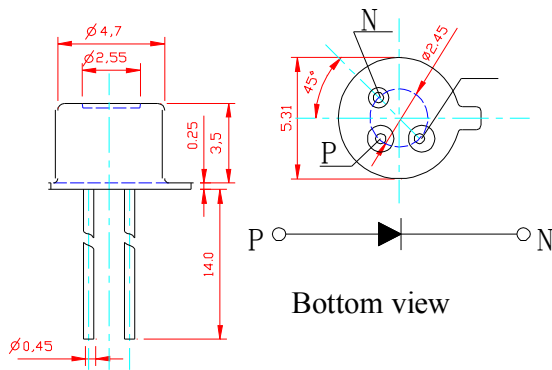
Electrical and optical characteristics:(T=25°C, Vr=10V)

parameter	symbol	unit	Value (typ.)
Active area	Φ	mm	1.2×1.2
Spectral range	λ	nm	400-1100
Responsivity	Re (λ=1064nm)	mA/mW	0.2
	Re (λ=905nm)	mA/mW	0.45
	Re(λ=650nm)	mA/mW	0.2
Response time	Tr (R _L =50Ω, 905nm)	ns	10
Dark current	I _D	nA	1
Reverse Breakdown voltage	V _{BR} (I _R =100uA)	V	170
Junction capacitance	C _j (f=1MHz)	pF	15
Operating voltage	V _R	v	0-15
package	TO-46		

The typical Sensitivity curve



The package and Lead



Package A

Order information

LSSPD-1.2-X-X

- X=A: Package A
- X=B: Package B
- X=C: Package C

- X=0 TO-46 Can with window cap
- X=SMFP SM Fiber coupling with FC-PC connector
- X=SMFA SM Fiber coupling with FC-APC connector
- X=SMSA SM Fiber coupling with SC-APC connector
- X=5MMFA 50um MM Fiber coupling with FC-APC connector
- X=6MMFA 62.5um MM Fiber coupling with FC-APC connector
- X=JKFC TO-46 Can with FC receptacle
- X=Other By customer's request

The cautions

- 1: The suitable ESD protection is required in storage, transportation and using
- 2: The fiber bending radius no less than 20mm for avoiding fiber damaged, Be sure the fiber coupling facet is clean before connecting it to opto-circuit.