

2.5mm Silicon PIN photodiode

Model: LSSPD-2.5

Features:

- High responseivity
- High speed
- Low dark current
- Low capacitance
- Flat window



Applications:

- Optical communications
- Laser ranging
- Industrial automatic control
- Optical power meter
- Science analysis and experiment



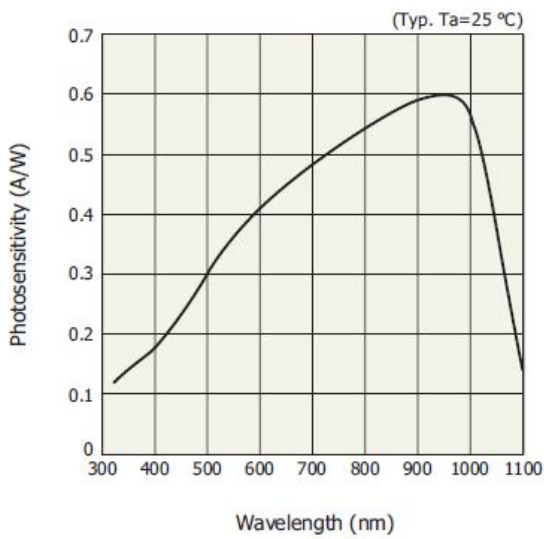
Absolute maximum ratings:

parameter	symbol	value	unit
Operating temperature	Top	-40~+100	°C
Storage temperature	Tstg	-45~+125	°C
Forward current	I _f	10	mA
Reverse current	I _r	1000	uA

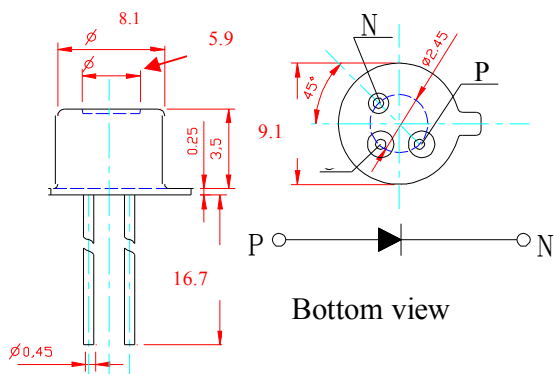
Electrical and optical characteristics:(T=25°C, Vr=10V)

parameter	symbol	unit	Value (typ.)
Active area	Φ	mm	2.5×2.5
Spectral range	λ	nm	400-1100
Responsivity	Re (λ=1064nm)	mA/mW	0.25
	Re (λ=905nm)	mA/mW	0.5
	Re(λ=650nm)	mA/mW	0.25
Response time	Tr (R _L =50Ω,905nm)	ns	30
Dark current	I _D	nA	2
Reverse Breakdown voltage	V _{BR} (I _R =100uA)	V	170
Junction capacitance	C _j (f=1MHz)	pF	25
Operating voltage	V _R	v	0-15
package	TO-5		

The typical Sensitivity curve



The package and Lead



Order information

LSSPD-2.5-X



- X=0 TO-5 Can with flat window cap
- X=JKFC TO-5 Can with removable FC receptacle
- X=Other By customer's request

The cautions

1: The suitable ESD protection is required in storage, transportation and using