

800nm-2400nm 1mm InGaAs PIN photodiode

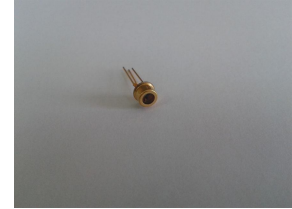
Model: LSIPD24-1

Features:

- High reliability, low dark current
- Top illumination planar PIN PD
- Large active diameter 1mm
- Cut off wavelength to 2400nm
- To-46 package

Applications:

- Gas Analyzer
- Environment measurement
- Science analysis and experiment
- Space light detect equipment
- Optical power meter
- NIR photometry
- Laser pulse test
- Optical fiber sensor



Absolute maximum ratings:

parameter	symbol	value	unit
Operating temperature	Top	-20~+50	°C
Storage temperature	Tstg	-55~+70	°C
Forward current	I _f	10	mA
Reverse voltage	V _r	1.5	V
Reverse current	I _r	1	mA
Soldering temperature(time)	T _s (10s)	260	°C

Electrical and optical characteristics:(T=25°C)

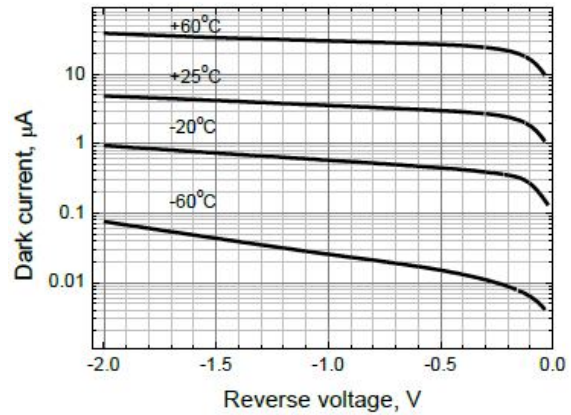
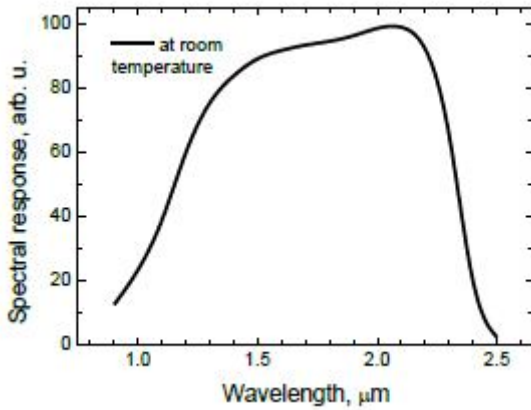
parameter	symbol	unit	Value (typ.)
Spectral range	λ	nm	800-2400
Active diameter	\varnothing	mm	1
Responsivity	Re (V _R =-0.2V, λ =800nm)	mA/mW	0.08
	Re(V _R =-0.2V, λ =2100nm)	mA/mW	1.0
	Re(V _R =-0.2V, λ =2400nm)	mA/mW	0.10
Rise time	Tr (R _L =50 Ω , V _R =-0.2V)	ns	100
-3dBm Bandwidth	BW (R _L =50 Ω , V _R =-0.2V)	MHz	3
Dark current	I _D (V _R =-0.2V)	μ A	30
Reverse Breakdown voltage	V _{BR} (I _R =10 μ A)	V	1.5
Junction capacitance	C _j (f=1MHz, V _R =-0.2V)	pF	1200
Saturated Optical Power	P _s (V _R =-0.2V)	mW	10
Operating voltage	V _R	v	0-0.5
package		TO-46	

地址: 北京市海淀区苏州街12号西屋国际A座1104 邮编: 100080

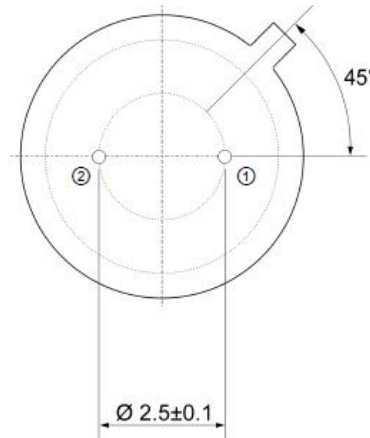
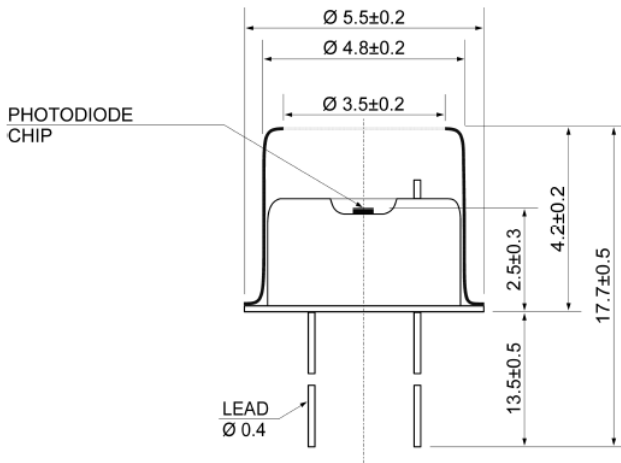
Address: Building A Rm 1104, Westing house, No 12 Suzhou Street, Haidian District, Beijing 100080, China.

TEL: +86-010-53691988 FAX: +86-010-62557230 Email: info@lightsensing.com Website: www.lightsensing.com

The typical characteristic curve



The package and Lead



1: Anode 2: Cathode

Bottom view

Order information

LSIPD24-1-X

- X=0 TO-46 Can with flat window cap
- X=JKFC TO-46 Can with FC receptacle
- X=Other By customer's request

The cautions

- 1: The suitable ESD protection is required in storage, transportation and using
- 2: The fiber bending radius no less than 20mm for avoiding fiber damaged, Be sure the fiber coupling facet is clean before connecting it to opto-circuit.