

800nm-2400nm 300um InGaAs PIN photodiode

Model: LSIPD24-0.3

Features:

- High reliability, low dark current
- Top illumination planar PIN PD
- Cut off wavelength to 2400nm
- To-46 package



Applications:

- Gas Analyzer
- Environment measurement
- Science analysis and experiment
- Space light detect equipment
- Optical power meter
- NIR photometry
- Laser pulse test
- Optical fiber sensor



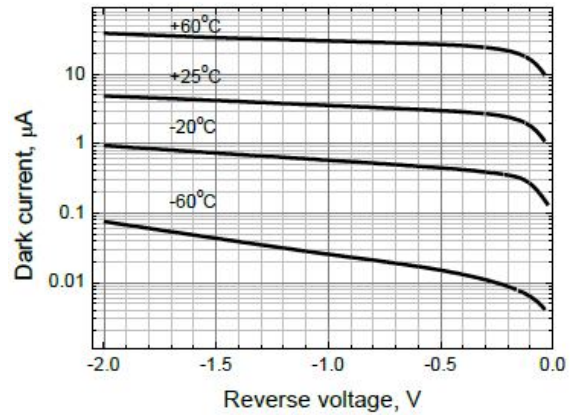
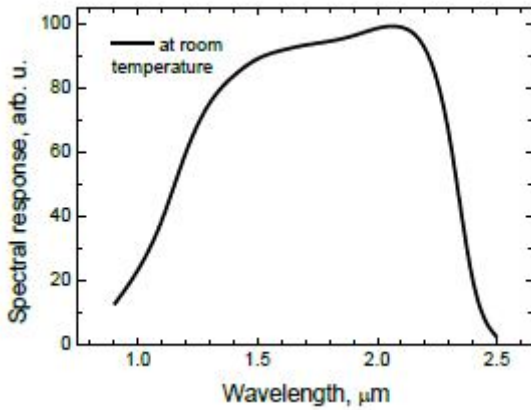
Absolute maximum ratings:

parameter	symbol	value	unit
Operating temperature	Top	-20~+50	°C
Storage temperature	Tstg	-55~+70	°C
Forward current	I _f	10	mA
Reverse voltage	V _r	2	V
Reverse current	I _r	1	mA
Soldering temperature(time)	T _s (10s)	260	°C

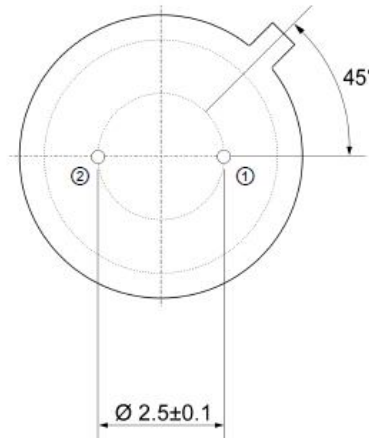
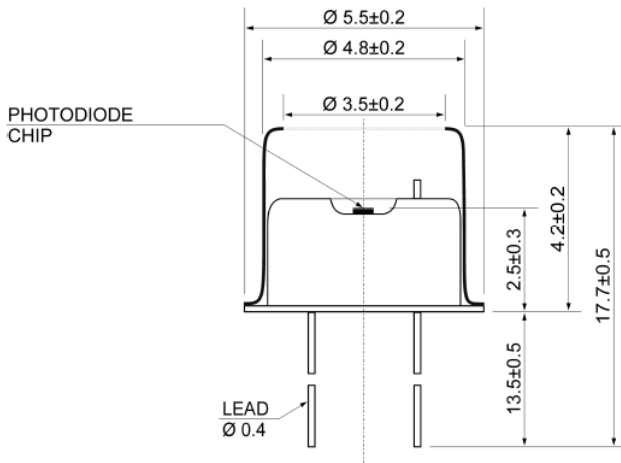
Electrical and optical characteristics:(T=25°C)

parameter	symbol	unit	Value (typ.)
Spectral range	λ	nm	800-2400
Active diameter	\varnothing	um	300
Responsivity	Re (V _R =-0.2V, λ =800nm)	mA/mW	0.08
	Re(V _R =-0.2V, λ =2100nm)	mA/mW	1.0
	Re(V _R =-0.2V, λ =2400nm)	mA/mW	0.10
Rise time	Tr (R _L =50 Ω , V _R =-0.2V)	ns	2
-3dBm Bandwidth	BW (R _L =50 Ω , V _R =-0.2V)	MHz	150
Dark current	I _D (V _R =-0.2V)	uA	5
Reverse Breakdown voltage	V _{BR} (I _R =10uA)	V	2
Junction capacitance	C _j (f=1MHz, V _R =-0.2V)	pF	30
Saturated Optical Power	P _s (V _R =-0.2V)	mW	5
Operating voltage	V _R	v	0-0.5
package	TO-46		

The typical characteristic curve



The package and Lead



1: Anode 2: Cathode

Bottom view

Order information

LSIPD24-0.3-X

X=0	TO-46 Can with flat window cap
X=SMFP	SM Fiber coupling with FC-PC connector
X=SMFA	SM Fiber coupling with FC-APC connector
X=SMSA	SM Fiber coupling with SC-APC connector
X=5MMFA	50um MM Fiber coupling with FC-APC connector
X=6MMFA	62.5um MM Fiber coupling with FC-APC connector
X=JKFC	TO-46 Can with FC receptacle
X=Other	By customer's request

The cautions

- 1: The suitable ESD protection is required in storage, transportation and using
- 2: The fiber bending radius no less than 20mm for avoiding fiber damaged, Be sure the fiber coupling facet is clean before connecting it to opto-circuit.