

800nm-3600nm 1mm InGaAs PIN photodiode

Model: LSIPD36-1

Features:

- High reliability, low dark current
- Top illumination planar PD
- Large active diameter 1mm
- Cut off wavelength to 3600nm
- To-46 package

Applications:

- Gas Analyzer
- Environment measurement
- Science analysis and experiment
- Space light detect equipment
- Optical power meter
- NIR photometry
- Laser pulse test
- Optical fiber sensor



Absolute maximum ratings:

parameter	symbol	value	unit
Operating temperature	Top	-20~+50	°C
Storage temperature	Tstg	-55~+70	°C
Forward current	I _f	10	mA
Reverse voltage	V _r	1	V
Reverse current	I _r	1	mA
Soldering temperature(time)	T _s (10s)	260	°C

Electrical and optical characteristics:(T=25°C)

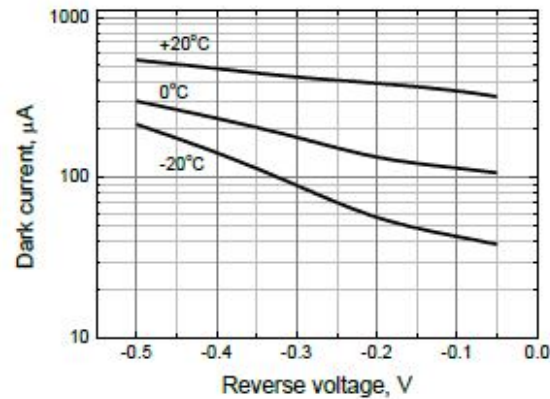
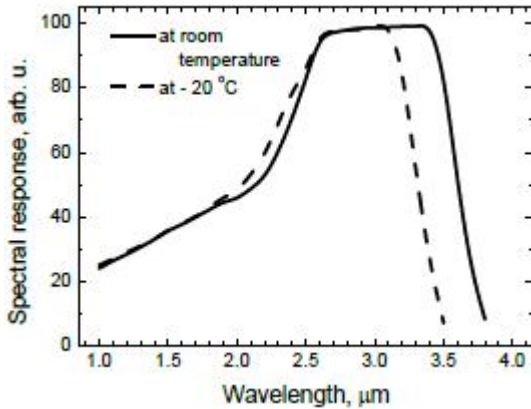
parameter	symbol	unit	Value (typ.)
Spectral range	λ	nm	800-3600
Active diameter	\varnothing	mm	1
Responsivity	Re (V _R =-0.2V, λ =800nm)	mA/mW	0.08
	Re(V _R =-0.2V, λ =3000nm)	mA/mW	1.0
	Re(V _R =-0.2V, λ =3600nm)	mA/mW	0.2
Rise time	Tr (R _L =50 Ω , V _R =-0.2V)	ns	200
Dark current	I _D (V _R =-0.2V)	μ A	400
Reverse Breakdown voltage	V _{BR} (I _R =10 μ A)	V	1
Junction capacitance	C _j (f=1MHz, V _R =-0.2V)	nF	2.5
Saturated Optical Power	Ps(V _R =-0.2V)	mW	5
Operating voltage	V _R	v	0-0.2
package	TO-46		

地址: 北京市海淀区苏州街12号西屋国际A座1104 邮编: 100080

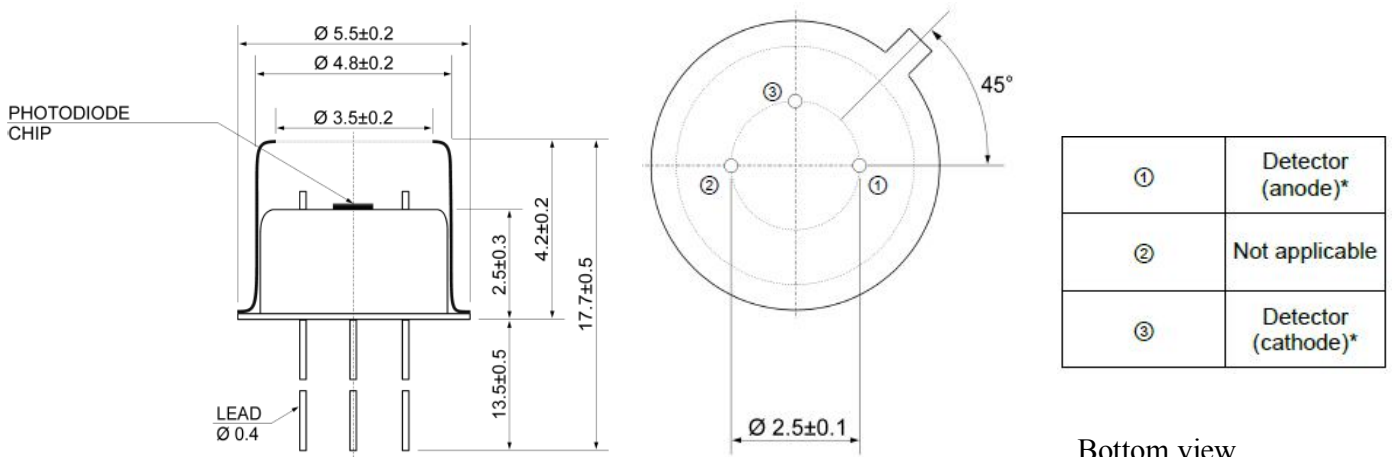
Address: Building A Rm 1104, Westing house, No 12 Suzhou Street,, Haidian District, Beijing 100080, China.

TEL: +86-010-53691988 FAX: +86-010-62557230 Email: info@lightsensing.com Website: www.lightsensing.com

The typical characteristic curve



The package and Lead



Bottom view

Order information

LSIPD36-1-X

X=0	TO-46 Can with flat window cap
X=SMFP	SM Fiber coupling with FC-PC connector
X=SMFA	SM Fiber coupling with FC-APC connector
X=SMSA	SM Fiber coupling with SC-APC connector
X=5MMFA	50um MM Fiber coupling with FC-APC connector
X=6MMFA	62.5um MM Fiber coupling with FC-APC connector
X=JKFC	TO-46 Can with FC receptacle
X=Other	By customer's request

The cautions

- 1: The suitable ESD protection is required in storage, transportation and using
- 2: The fiber bending radius no less than 20mm for avoiding fiber damaged, Be sure the fiber coupling facet is clean before connecting it to opto-circuit.