

## 800nm-2400nm Fast InGaAs PIN photodiode

### Model: LSIFPD24

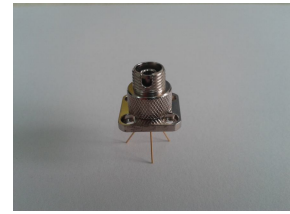
#### Features:

- High reliability, low dark current
- Top illumination planar PIN PD
- -3dBm Bandwidth 2GHZ
- Cut off wavelength to 2400nm
- To-46 package



#### Applications:

- Gas Analyzer
- Science analysis and experiment
- Space light detect equipment
- Optical power meter
- NIR photometry
- Laser pulse test
- Optical fiber sensor



#### Absolute maximum ratings:

parameter	symbol	value	unit
Operating temperature	Top	-30~+60	°C
Storage temperature	Tstg	-55~+70	°C
Forward current	I <sub>f</sub>	10	mA
Reverse voltage	V <sub>r</sub>	2	V
Reverse current	I <sub>r</sub>	1	mA
Soldering temperature(time)	T <sub>s</sub> (10s)	260	°C

#### Electrical and optical characteristics:(T=25°C)

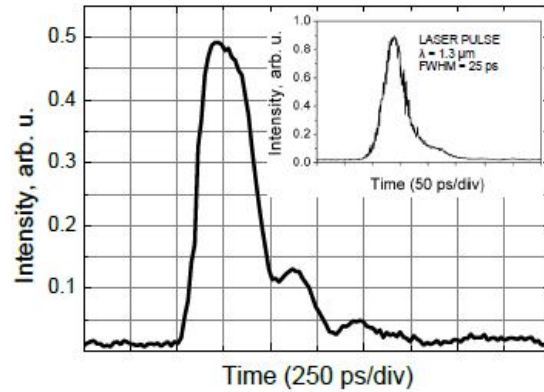
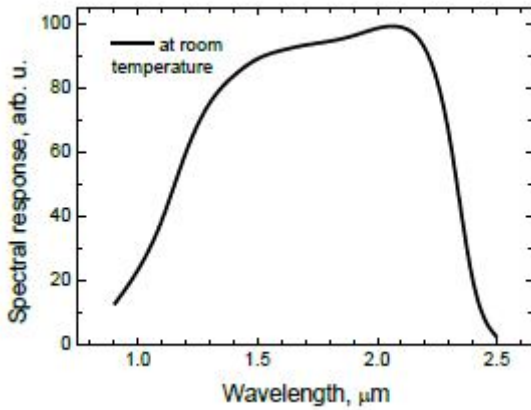
parameter	symbol	unit	Value (typ.)
Spectral range	$\lambda$	nm	800-2400
Responsivity	Re (V <sub>R</sub> =-0.2V, $\lambda$ =800nm )	mA/mW	0.08
	Re(V <sub>R</sub> =-0.2V, $\lambda$ =2100nm)	mA/mW	1.0
	Re(V <sub>R</sub> =-0.2V, $\lambda$ =2400nm)	mA/mW	0.10
Rise time	Tr (R <sub>L</sub> =50 $\Omega$ , V <sub>R</sub> =-0.2VV)	ps	150
-3dBm Bandwidth	BW (R <sub>L</sub> =50 $\Omega$ , V <sub>R</sub> =-0.2V)	GHz	2
Dark current	I <sub>D</sub> (V <sub>R</sub> =-0.2V)	$\mu$ A	0.5
Reverse Breakdown voltage	V <sub>BR</sub> (I <sub>R</sub> =10 $\mu$ A)	V	2
Junction capacitance	C <sub>j</sub> (f=1MHz, V <sub>R</sub> =-0.2V)	pF	3
Saturated Optical Power	Ps(V <sub>R</sub> =-0.2V)	mW	2
Operating voltage	V <sub>R</sub>	v	0-0.5
package	TO-46		

地址: 北京市海淀区苏州街12号西屋国际A座1104 邮编: 100080

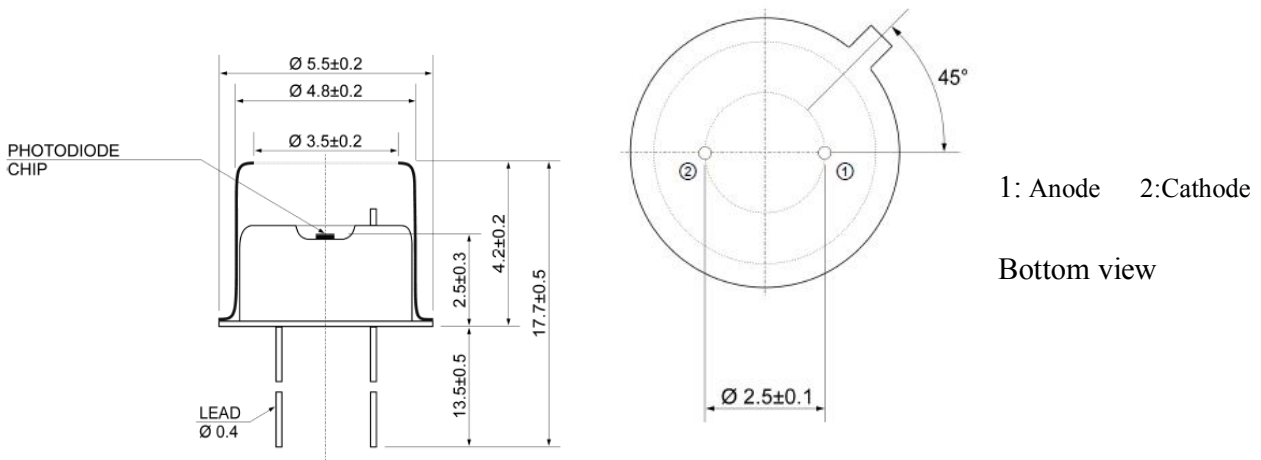
Address: Building A Rm 1104, Westing house, No 12 Suzhou Street,, Haidian District, Beijing 100080, China.

TEL: +86-010-53691988 FAX: +86-010-62557230 Email: [info@lightsensing.com](mailto:info@lightsensing.com) Website: [www.lightsensing.com](http://www.lightsensing.com)

### The typical characteristic curve



### The package and Lead



### Order information

LSIFPD24-X

- X=0 TO-46 Can with flat window cap
- X=SMFP SM Fiber coupling with FC-PC connector
- X=SMFA SM Fiber coupling with FC-APC connector
- X=SMSA SM Fiber coupling with SC-APC connector
- X=5MMFA 50um MM Fiber coupling with FC-APC connector
- X=6MMFA 62.5um MM Fiber coupling with FC-APC connector
- X=JKFC TO-46 Can with FC receptacle
- X=Other By customer's request

### The cautions

- 1: The suitable ESD protection is required in storage, transportation and using
- 2: The fiber bending radius no less than 20mm for avoiding fiber damaged, Be sure the fiber coupling facet is clean before connecting it to opto-circuit.