

300um InGaAs PIN photodiode

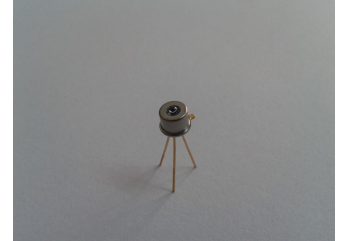
Model: LSIPD-0.3

Features:

- High reliability, low dark current
- Top illumination planar PD
- Lager active diameter

Applications:

- Industrial automatic control
- Science analysis and experiment
- Space light detect equipment
- Fiber communication
- Optical power meter
- Optical fiber sensor



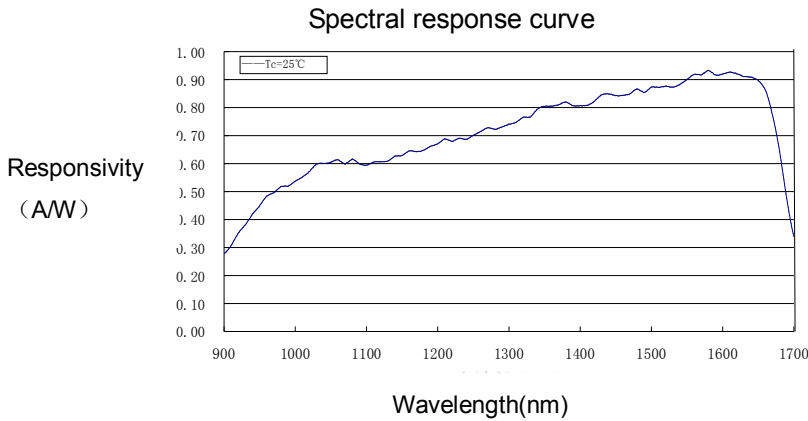
Absolute maximum ratings:

parameter	symbol	value	unit
Operating temperature	Top	-40~+85	°C
Storage temperature	Tstg	-40~+100	°C
Forward current	I _f	10	mA
Reverse voltage	V _r	30	V
Reverse current	I _r	1	mA
Soldering temperature(time)	Ts (10s)	260	°C

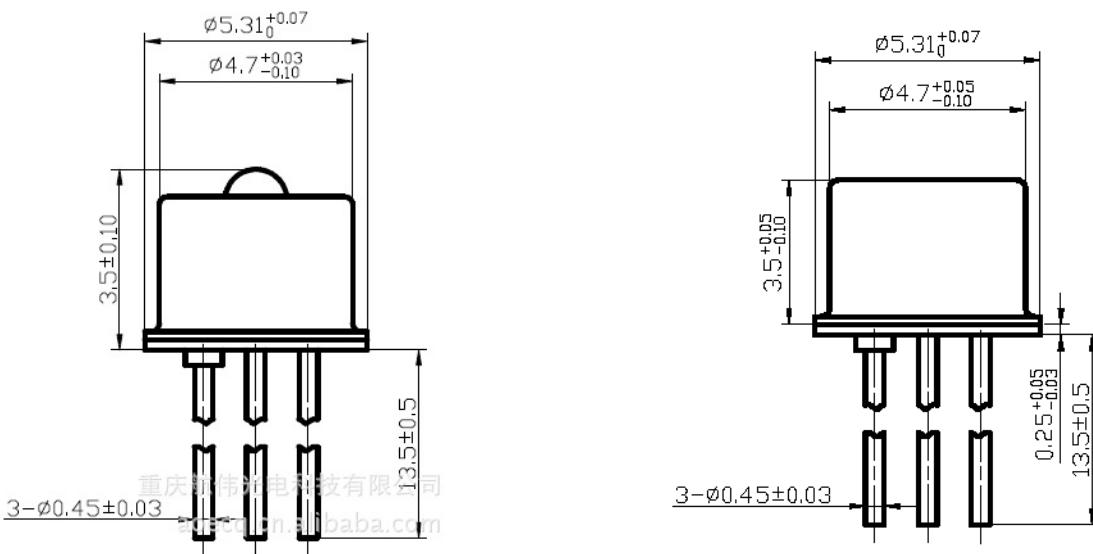
Electrical and optical characteristics:(T=25°C)

parameter	symbol	unit	Value (typ.)
Active diameter	Φ	um	300
Spectral range	λ	nm	800-1700
Responsivity	Re (V _R =5V,λ=1310nm)	mA/mW	0.85
	Re(V _R =5V,λ=1550nm)	mA/mW	0.90
Response time	Tr (R _L =50Ω,0V)	ns	0.5
Dark current	I _D (V _R =5V)	nA	0.5
Reverse Breakdown voltage	V _{BR} (I _R =10uA)	V	30
Junction capacitance	C _j (f=1MHz, V _R =5V)	pF	6
Saturated Optical Power	Ps(V _R =5V)	mW	6
Operating voltage	V _R	v	0-10
package	TO-46		

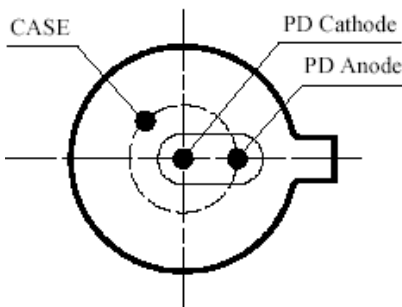
The typical Responsivity curve



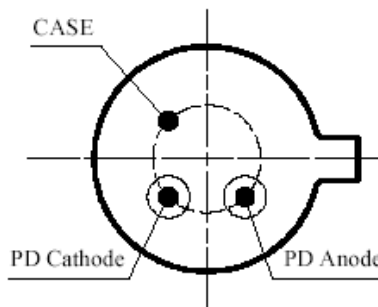
The package and Lead



PIN OUT



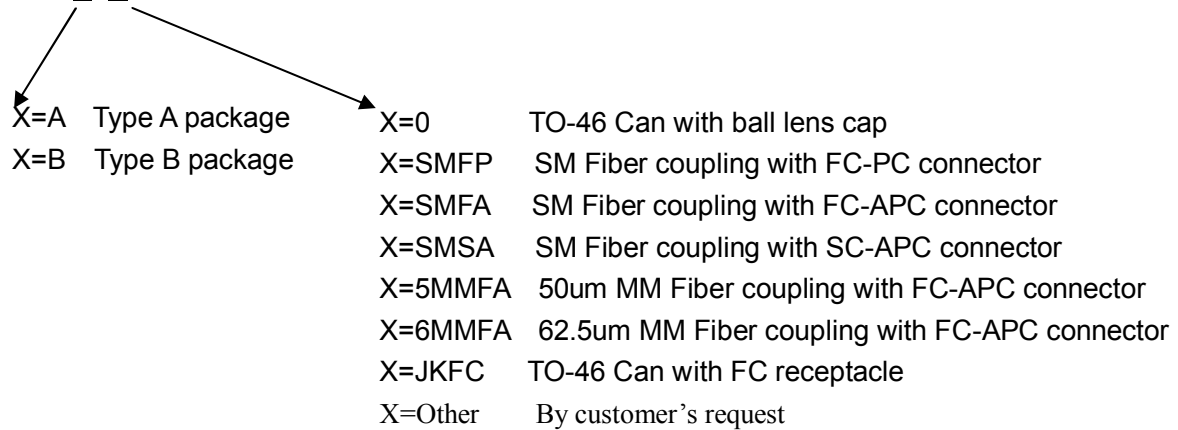
Type A (Bottom view)



Type B (Bottom view)

Order information

LSIPD-0.3X- X



The cautions

1:The suitable ESD protection is required in storage, transportation and using

2:The fiber bending radius no less than 20mm for avoiding fiber damaged ,Be sure the fiber coupling facet is clean before connecting it to opto-circuit.