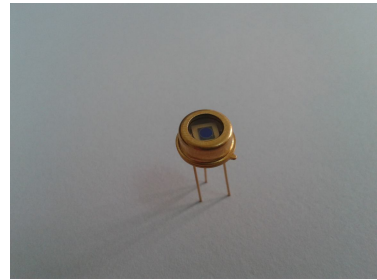


## 3mm InGaAs PIN Photodiode

### Model: LSIPD-3

#### Features:

- Low noise, High reliability
- Top illumination planar PIN PD
- Larger active diameter 3mm



#### Applications:

- Industrial automatic control
- Science analysis and experiment
- Space light detect equipment
- Optical power meter
- Response spectrum testing



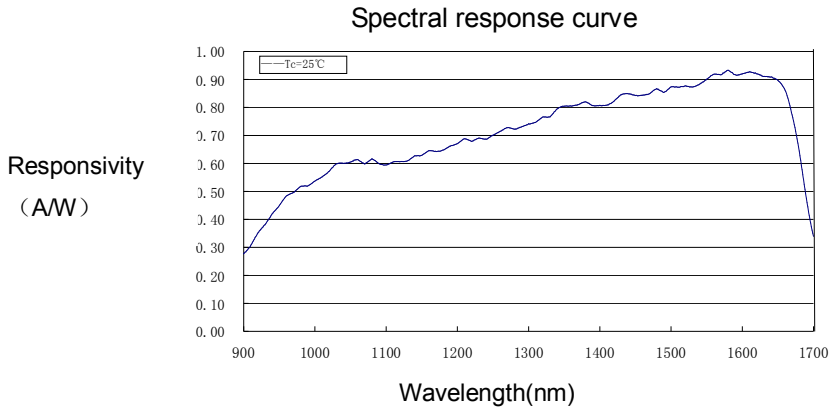
### Absolute maximum ratings:

parameter	symbol	value	unit
Operating temperature	Top	-40~+100	°C
Storage temperature	Tstg	-50~+125	°C
Forward current	I <sub>f</sub>	10	mA
Operating voltage	V <sub>R</sub>	5	V
Power dissipation	W <sub>p</sub>	100	mW
Soldering temperature(time)	T <sub>s</sub> (10s)	260	°C

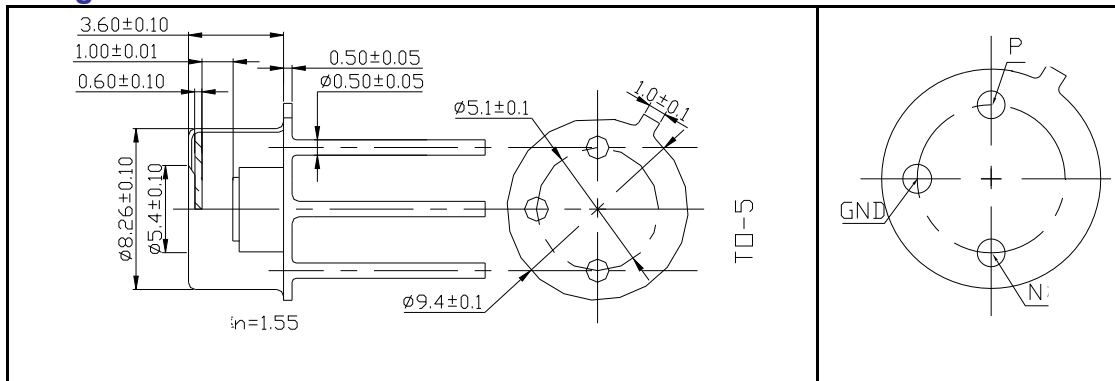
### Electrical and optical characteristics:(T=25°C, V<sub>R</sub>=5V)

parameter	symbol	unit	Value (typ.)
Active diameter	Φ	mm	3
Spectral range	λ	nm	800-1700
Responsivity	Re (V <sub>R</sub> =5V,λ=1310nm )	mA/mW	0.85
	Re(V <sub>R</sub> =5V,λ=1550nm)	mA/mW	0.9
Response time	Tr (R <sub>L</sub> =50Ω,-5V)	ns	30
Dark current	I <sub>D</sub> (-5V)	nA	8
Reverse Breakdown voltage	V <sub>BR</sub> (I <sub>R</sub> =10uA)	V	25
Saturated Optical Power	Ps(V <sub>R</sub> =5V)	mW	10
Junction capacitance	C <sub>j</sub> (f=1MHz,-5V)	pF	250
Operating voltage	V <sub>R</sub>	v	0-5
Shunt impedance	Rsh (V <sub>R</sub> =10mV)	MΩ	1.2
package	TO-5		

## The typical Responsivity curve



## The package and Lead



## Order information

LSIPD-3- X

- X=0 TO-5 Can with flat window cap
- X=JKFC TO-5 Can with removable FC receptacle
- X=Other By customer's request

## The cautions

The suitable ESD protecting measures are recommend in storage, transporting and using.