

5mm InGaAs PIN Photodiode

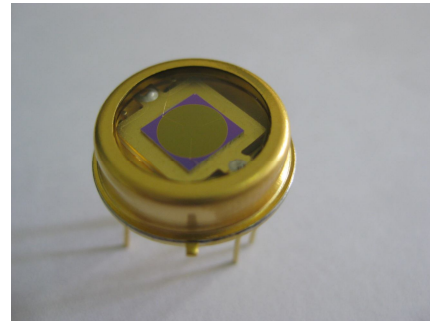
Model: LSIPD-5

Features:

- Low noise, High reliability
- Top illumination planar PIN PD
- Lager active diameter 5mm

Applications:

- Industrial automatic control
- Science analysis and experiment
- Space light detect equipment
- Optical power meter
- Response spectrum testing



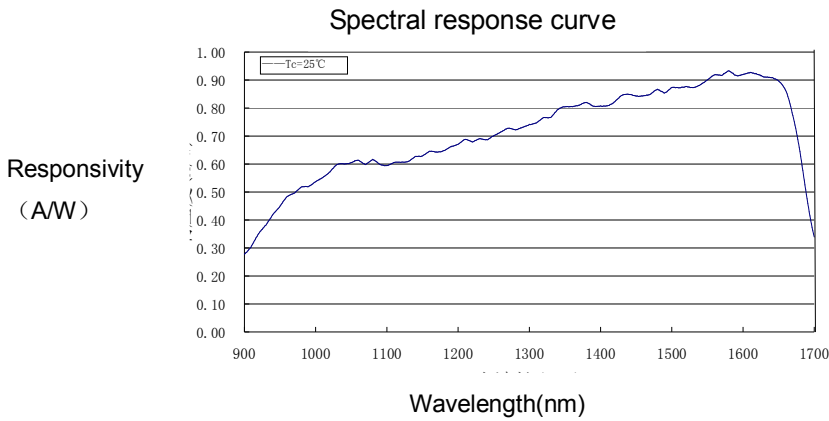
Absolute maximum ratings:

parameter	symbol	value	unit
Operating temperature	Top	-40~+100	°C
Storage temperature	Tstg	-50~+125	°C
Forward current	I _f	10	mA
Operating voltage	V _R	5	V
Power dissipation	W _p	100	mW
Soldering temperature(time)	T _s (10s)	260	°C

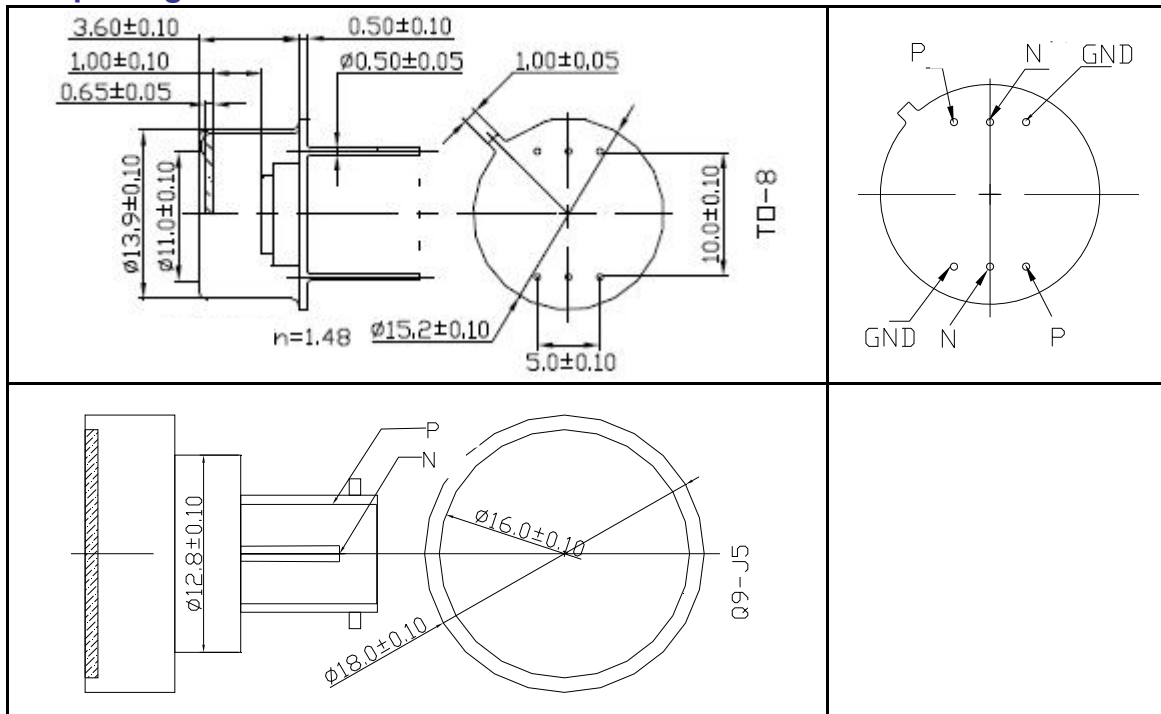
Electrical and optical characteristics:(T=25°C, V_R=5V)

parameter	symbol	unit	Value (typ.)
Active diameter	Φ	mm	5
Spectral range	λ	nm	800-1700
Responsivity	Re (V _R =5V,λ=1310nm)	mA/mW	0.85
	Re(V _R =5V,λ=1550nm)	mA/mW	0.9
Dark current	I _D (-5V)	nA	10
Reverse Breakdown voltage	V _{BR} (I _R =10uA)	V	20
Saturated Optical Power	Ps(V _R =5V)	mW	10
Junction capacitance	C _j (f=1MHz,-5V)	nF	1.3
Operating voltage	V _R	v	0-5
Shunt impedance	Rsh (V _R =10mV)	MΩ	1.0
package	TO-8		

The typical Responsivity curve



The package and Lead



Order information

LSIPD-5- X

X=0 TO-8 Can with flat window cap
 X=Other By customer's request

The cautions

The suitable ESD protecting measures are recommend in storage, transporting and using.